




PROJECT		REF		REV	ITEM CODE	
LOCATION		DATE			PAGE	

# SANITARY WARE SPECIFICATION SHEET

Item Descriptions	GROHE (Germany) Rapid SL for wall hung WC with concealed flushing cistern 3/6L dual flush, 1.13M installation height; Skate Cosmopolitan <b>Brushed Hard Graphite ABS</b> wall plate for pneumatic discharge valve in the vertical orientation during installation; Wall brackets in pairs	Illustration/ Drawing
Dimensions	L156 x H197 x D10 mm	
Model	38732AL0 (Brushed Hard Graphite Wall plate) 38528001 (Concealed cistern with frame) 3855800M (Wall brackets)	
Finish	Brushed Hard Graphite	
Manufacturer	GROHE Limited	
Supplier	Acme Sanitary Ware Co. Ltd Mr. Eric Wong/ Mr. Don Yuen	
Contact Tel/Fax	(852) 2388-7171 / (852) 2710-8012	
E-mail	acme@acmesanitary.com.hk	
Website	www.acmesanitary.com.hk	

Skate Cosmopolitan Flush plate or dual flush or start & stop actuation for pneumatic drop valve AV1 for vertical and horizontal installation for mounting of small flush plates please order inspection shaft 40 911 000 (sold separately)  
**GROHE StarLight** finish  
**GROHE EcoJoy** technology for less water and perfect flow

**Rapid SL for WC flushing cistern GD 2**  
**1.13 m installation height**  
for on-the-wall installations or studed walls powder coated steel frame, self-supporting for dry-cladding, completely pre-assembled with fixed connections  
quick adjustment, lockable fixing material TÜV approved; 2 WC fixing bolts fixing device for ceramic WC ceramics with small bearing area (less than 205 mm) require additional accessory 38 779 000

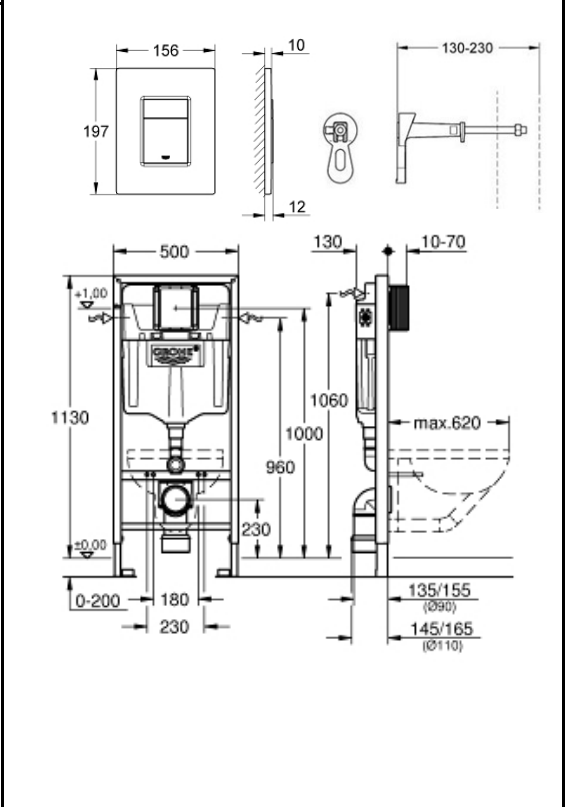


38732A00  
hard graphite

38732DA0  
warm sunset

distance of fixing bolts 180/230 mm  
outlet bend Ø 90 mm  
depth adjustable  
reducer Ø 90/110 mm  
inlet and outlet connecting set  
**flushing cistern GD 2, 6 - 9 1**  
adjustment ex factory 6 l and 3 l  
pneumatic discharge valve offering 3 modes of operation: dual flush or start/stop or single flush  
water supply from left/right or back  
low noise (group I acc. to German Noise Specification)  
insulated against condensation  
½" water supply connection including integrated angle valve and push fit flexible hose union  
no tools required for the installation of the inspection shaft including protection during construction phase for vertical or horizontal use  
**without accessories for on-the-wall installation**

for mounting of small flush plates please order revision shaft 40 911 000 (sold separately)


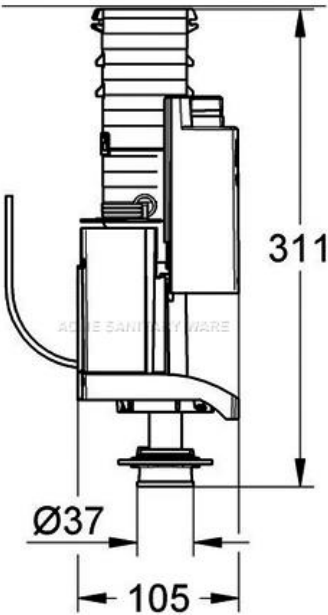


\* All information of the above is for the reference only. No prior notice is made if any changes.



PROJECT		REF		REV	ITEM CODE	
LOCATION		DATE			PAGE	

## SANITARY WARE SPECIFICATION SHEET

<p>Item Descriptions</p> <p>Model</p> <p>Finish</p> <p>Manufacturer</p> <p>Supplier</p> <p>Contact Tel/Fax</p> <p>E-mail</p> <p>Website</p>	<p>GROHE (Germany) Plastic single top push flush valve</p> <p>42320000</p> <p>Plastic</p> <p>GROHE Limited</p> <p>Acme Sanitary Ware Co. Ltd Mr. Eric Wong/ Mr. Don Yuen</p> <p>(852) 2388-7171 / (852) 2710-8012 acme@acmesanitary.com.hk www.acmesanitary.com.hk</p>	<p>Illustration/ Drawing</p>  
---	--	---

Note:

*\* All information of the above is for the reference only. No prior notice is made if any changes.*



Department

入境事務大樓 48 樓

Lower, 7 Gloucester Road, Wan Chai, Hong Kong

本署檔號 : (6) in WSD 3321/19 T/J(1018/2019)  
Our ref.  
來函檔號 :  
Your ref.

電話 :  
Tel.  
傳真 : 2824 0578  
Fax.


20 December 2019



### Approval of "GROHE" Flush Valve (General Acceptance No. C20190620F)

Your letters ref. WRC/2116, C-WSD/0540 and C-WSD/0542 dated 10 October 2019, 11 November 2019 and 27 November 2019 respectively refer.

Having considered the test report ref. J24282 issued on 29 July 2019 by Nutek Systems (HK) Limited, this Authority accepts that the fitting described below complies with, and its use when correctly installed does not contravene, the Waterworks Ordinance and Regulations.

**Name of Manufacturer:** Grohe AG  
**Country of Origin:** Germany  
**Brand:** Grohe  
**Details of Fitting:** 37mm Plastic flush discharge valve for WC flush cistern  
**Model:** 42320000  
**Body Markings:**   
**Expiry Date:** 4 June 2024



**Proviso:** As the fitting has not been tested for use in contact with water intended for human consumption, the fitting can only be used in flushing water plumbing system.

This Authority hereby permits the use of the above fitting in flushing water plumbing systems subject to full adherence to Waterworks installation requirements. In particular, you are required to draw your customers' attention to the following requirement-

"The flushing volume of the flushing valve should be adjusted to suit the design of the toilet bowl so that wastes can be cleared effectively by a single flush."

"The fitting should be used within the range of working pressures specified by the manufacturer." AND

"The installed fitting should not result in backflow of water that will contaminate the flushing water supply."

A condition of this acceptance is that the fitting to be installed shall be replicas of the sample as certified by the testing agent mentioned above and without modifications. This acceptance may be withdrawn at any time if the standard of the fitting installed fails to meet that of the approved sample or if the fitting is found to be unsuitable for use in flushing water plumbing systems.

For the use of the fitting in any project, the General Acceptance Number of this letter must be quoted as a means of identification of acceptance of the fitting by this Authority.

Should you have any enquiries, please contact our Engineer Mr. Terry KUNG at tel. no. 3583 4086.

Yours faithfully,



(CHAN Chung-kun)

for Director of Water Supplies

Encl.

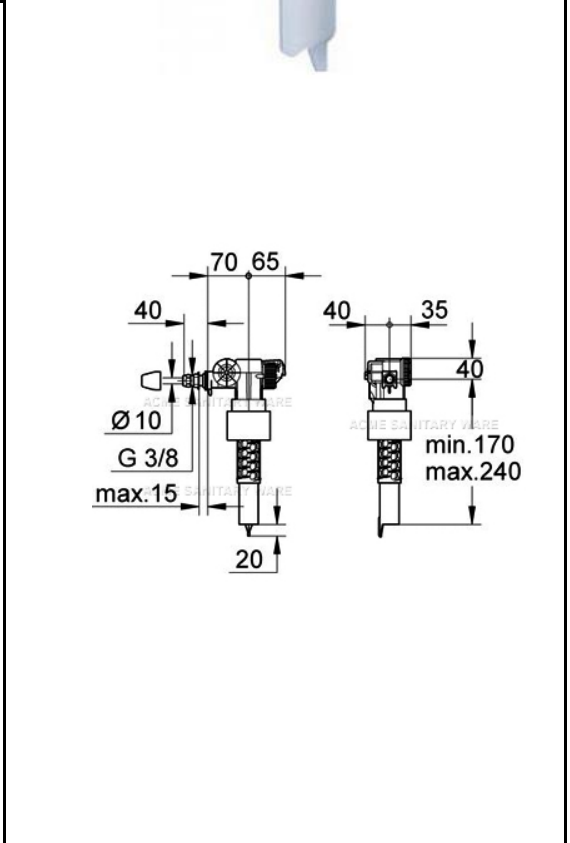
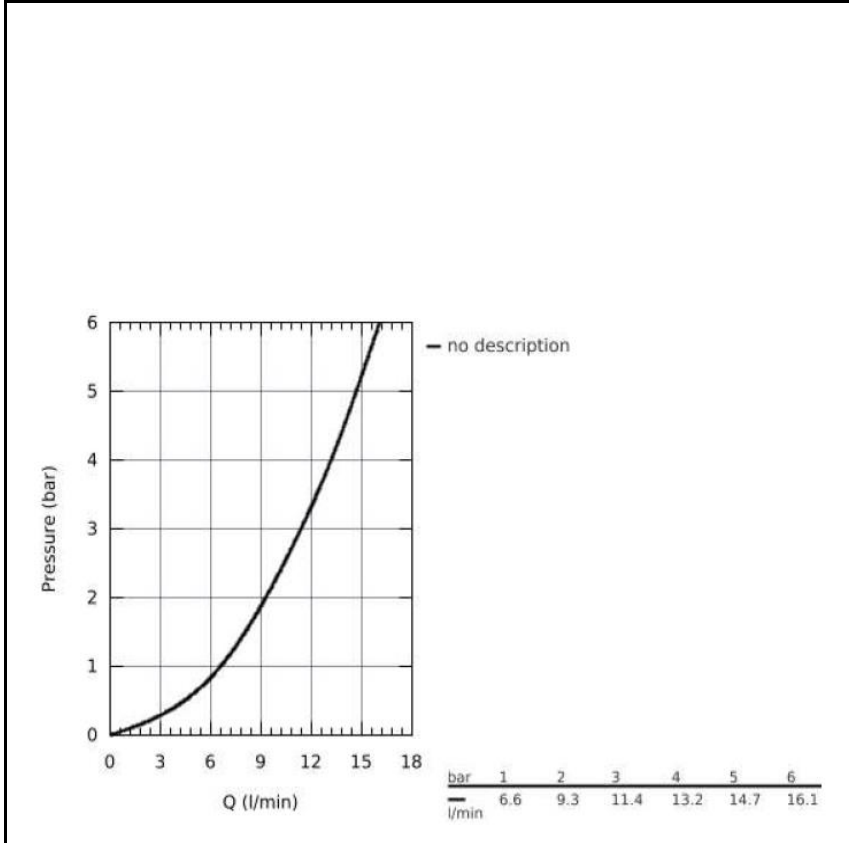
c.c. WSD 3321/1/82 ] - without catalogue  
ME/MC ] - with soft copy only



PROJECT		REF		REV	ITEM CODE	
LOCATION		DATE			PAGE	

## SANITARY WARE SPECIFICATION SHEET

Item Descriptions	GROHE (Germany) Plastic inlet valve	Illustration/ Drawing
Model	37095000	
Finish	Plastic	
Manufacturer	GROHE Limited	
Supplier	Acme Sanitary Ware Co. Ltd Mr. Eric Wong/ Mr. Don Yuen	
Contact Tel/Fax	(852) 2388-7171 / (852) 2710-8012	
E-mail Website	acme@acmesanitary.com.hk www.acmesanitary.com.hk	



**Note:**

*\* All information of the above is for the reference only. No prior notice is made if any changes.*





Department

48/F, Immigration Tower, 7 Gloucester Road, Wan Chai, Hong Kong

本署檔號 : (2) in WSD 3321/2020 T/J(1065/2020)  
Our ref.  
來函檔號  
Your ref.

電話 :  
Tel.  
傳真 : 2824 0578  
Fax.

6 October 2020



ACME SANITARY WARE

### Approval of "GROHE" Float Operated Valve (General Acceptance No. C20200864F)

Your letter ref. WRC/2305 dated 13 August 2020 refers.

Having considered the test report ref. J24281 issued on 30 July 2020 by Nutek Systems (HK) Limited, this Authority accepts that the fitting described below complies with, and its use when correctly installed does not contravene, the Waterworks Ordinance and Regulations.

**Name of Manufacturer:** Grohe AG  
**Country of Origin:** Germany  
**Brand:** Grohe  
**Details of Fitting:** 3/8" Plastic float operated valve  
**Model:** 37095000  
**Body Markings:**   
**Expiry Date:** 2 June 2025



**Proviso:** As the fitting has not been tested for use in contact with water intended for human consumption, the fitting can only be used in flushing water plumbing system.

This Authority hereby permits the use of the above fitting in flushing water plumbing systems subject to full adherence to Waterworks installation requirements. In particular, you are required to draw your customers' attention to the following requirement-

"The flushing volume of the flushing valve should be adjusted to suit the design of the toilet bowl so that wastes can be cleared effectively by a single flush."

"The fitting should be used within the range of working pressures specified by the manufacturer." AND

"The installed fitting should not result in backflow of water that will contaminate the flushing water supply."

A condition of this acceptance is that the fitting to be installed shall be replicas of the sample as certified by the testing agent mentioned above and without modifications. This acceptance may be withdrawn at any time if the standard of the fitting installed fails to meet that of the approved sample or if the fitting is found to be unsuitable for use in flushing water plumbing systems.

For the use of the fitting in any project, the General Acceptance Number of this letter must be quoted as a means of identification of acceptance of the fitting by this Authority.

Should you have any enquiries, please contact our Engineer Mr. Terry KUNG at tel. no. 3583 4086.

Yours faithfully,



(CHAN Chung-kun)

for Director of Water Supplies

Encl.

c.c. WSD 3321/1/82 ] - without catalogue  
ME/MC ] - with soft copy only